

## SMD TYPE CERAMIC (SMD 6 x 3.5)



### Application of SMD crystal:



- Blue tooth
- PDA
- Notebook
- Digital camera
- MP3
- Wireless Lan

### {Features}

1.1mm thickness is equal to SMD-type IC  
 Excellent reliability and environment capability  
 High-density mounting-type SMD  
 Excellent vibration resistance & shock resistance



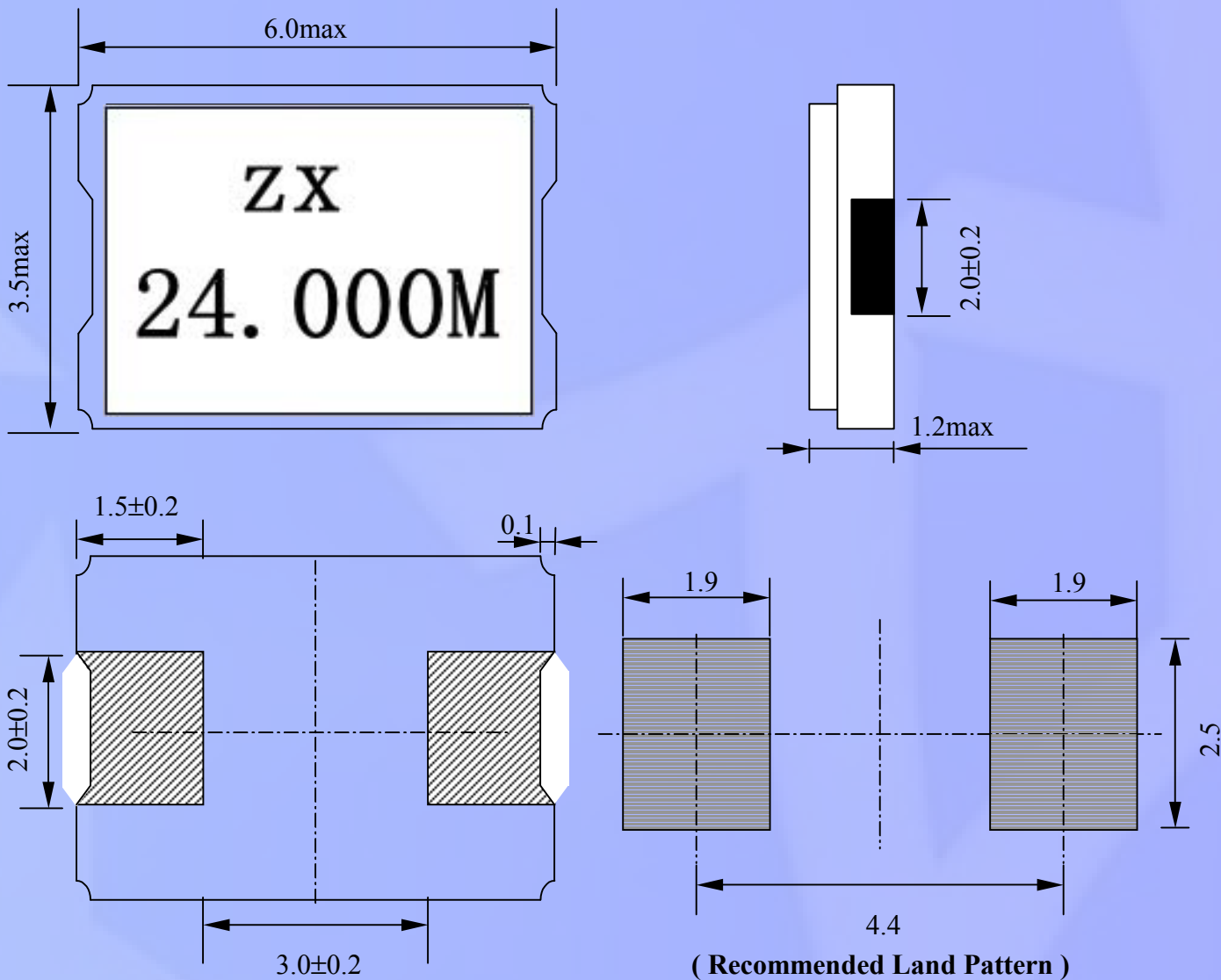
### Electrical Specification:

Model	ZX-6035
<b>1.Frequency</b>	
Frequency Range	13.0 ~ 125.000 MHZ
Frequency Tolerance at 25 °C ±2 °C	±10 ~ ±100 ppm (TYP.)
Fr Range	±10 ~ ±100 ppm (TYP.)
<b>2.Environmental Condition</b>	
Operating Temp Range	-10 °C ~ +60 °C, -20 °C ~ +70 °C or customer requirement
Storage Temp Range	-40 °C ~ +85 °C
Aging Rate	±1ppm , ±2ppm , ±3ppm/year
<b>3.Electrical Specifications</b>	
Test Circuit	S&A 250B
Load Capacitance	6 pF ~ 32 pF, series or special
Drive Level	1uw ~ 100uw or special
Shunt Capacitance	7.0pF max

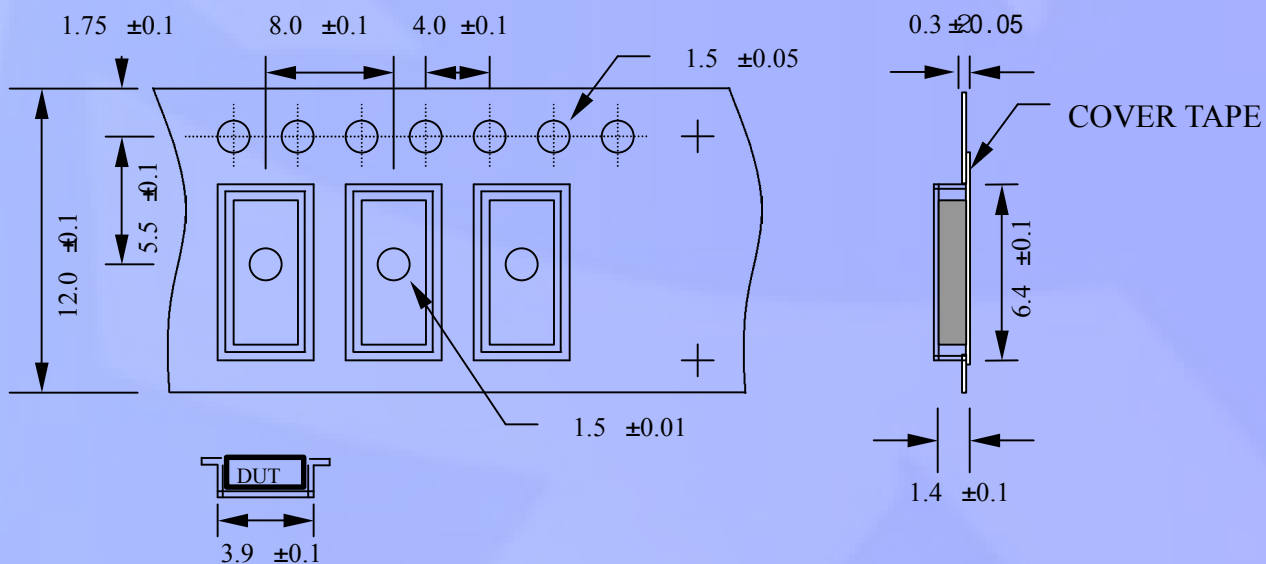
### Equivalent Series Resistance(ESR) VS Frequency:

Frequency (MHz)	Oscillation Mode	ZX-6035
13.0 ~ 25.0	Fundamental	60
25.1 ~ 52.0	Fundamental	50
45.1 ~ 80.0	3rd overtone	80
80.1 ~ 125.0	3rd overtone	60

**Dimensions: (mm)**

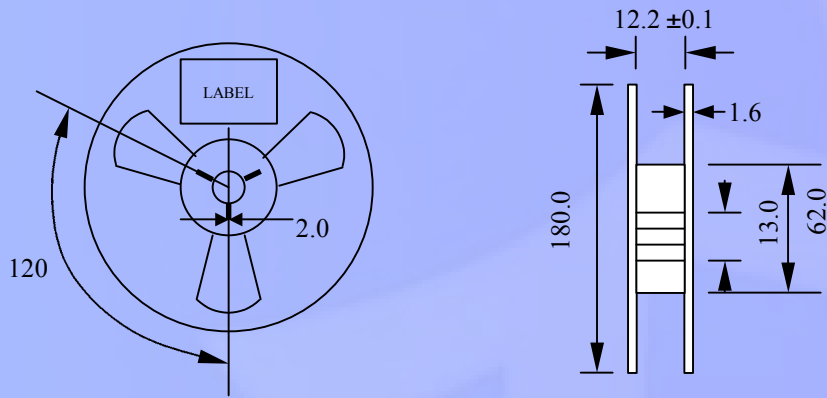


**Tape specification: (mm)**



\* Above specification subject to change without prior notice, please consult our sales representative for more information  
 SHENZHEN \ J CQZKCP ELECTRONICS CO;LTD TEL:0755-27878458 QQ:98; 68: 924 <http://www.jcqzkcpf.com>

## Reel packing: (mm)



## Reflow Temperature profile:

