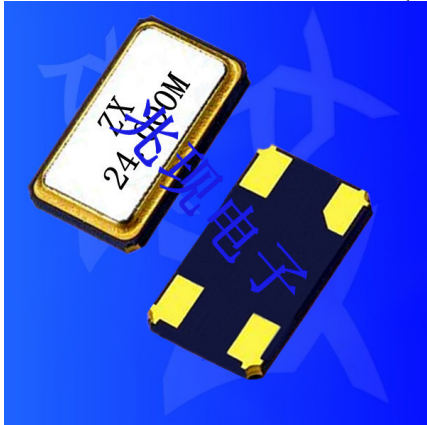


## SMD TYPE CERAMIC (SMD 5 x 3.2)



### Application of SMD crystal

- Radio communication
- CRYSTAL
- Office automation equipment
- GPS
- Audio-visual equipment

### {Features}

Seam welding  
 Excellent solderability  
 Automatic and perfect packing due to emboss taping  
 Excellent vibration resistance & shock resistance  
 Rohs compliant / Pb free



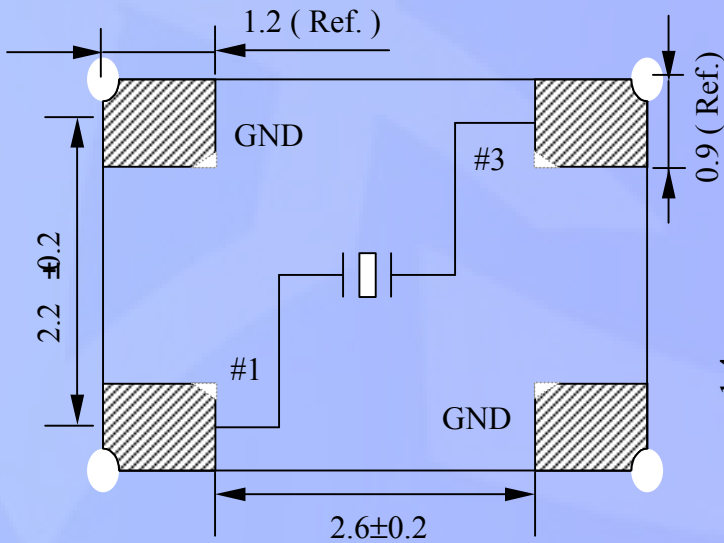
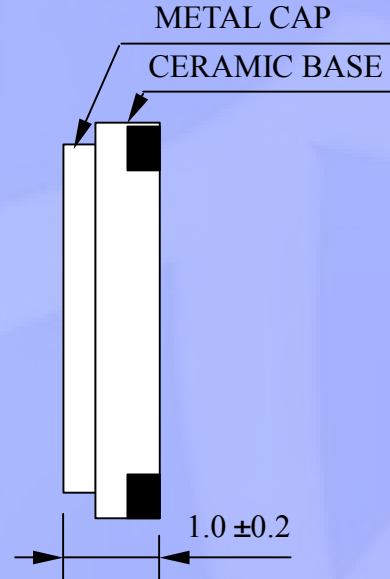
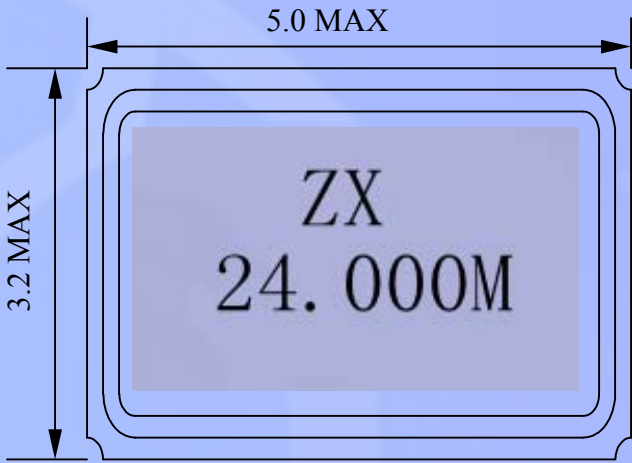
### Electrical Specification:

Model	"\ Z-5032mm
<b>1.Frequency</b>	
Frequency Range	8.0 ~ 100.0 MHz
Frequency Tolerance at 25 °C ±2 °C	±10 ~ ±30 ppm (TYP.)
Frequency Stability Over Operating Temp Range	±10 ~ ±30 ppm (TYP.)
<b>2.Environmental Condition</b>	
Operating Temp Range	-10 °C~ +60 °C, -20 °C~ +70 °C or customer requirement
Storage Temp Range	-40 °C ~ +85 °C
Aging Rate	±3ppm/year
<b>3.Electrical Specifications</b>	
Test Circuit	S&A 250B
Load Capacitance	6 pF ~ 32 pF, series or special
Drive Level	1uW ~ 100uW or special
Shunt Capacitance	7.0pF max

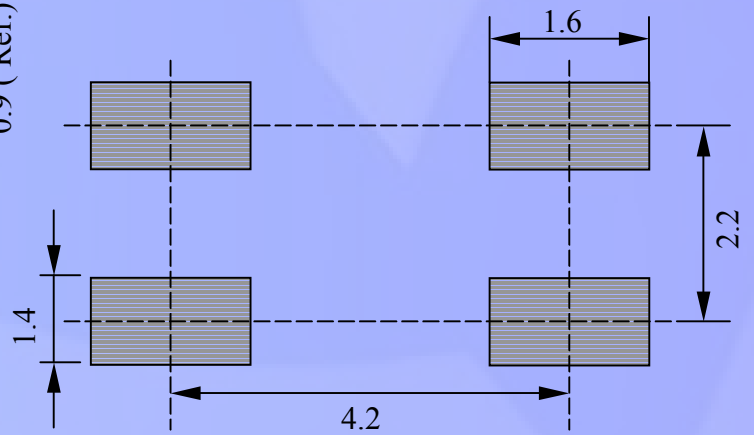
### Equivalent Series Resistance(ESR) VS Frequency:

Frequency (MHz)	Oscillation Mode	"\ Z-5032
10 ~ 12.0	Fundamental	90
12.1 ~ 25.0	Fundamental	70
25.1 ~ 52.0	Fundamental	40
45.1 ~ 125.0	3rd overtone	100

**Dimensions (mm):**

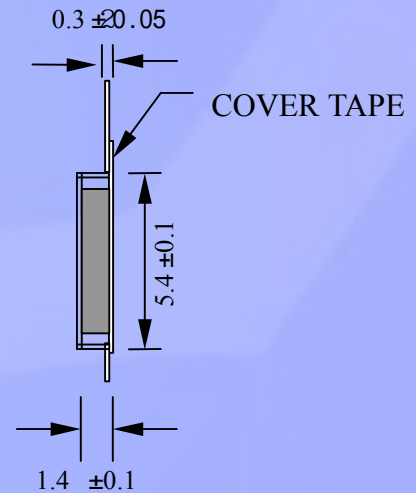
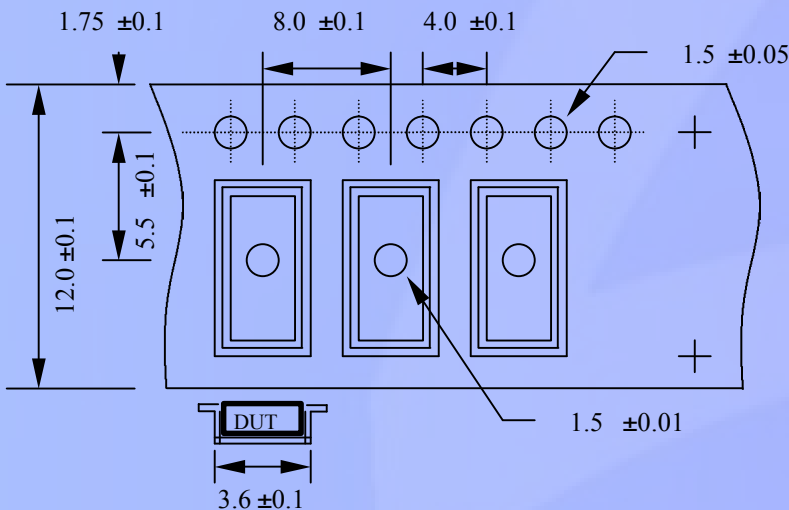


<TOP VIEW>



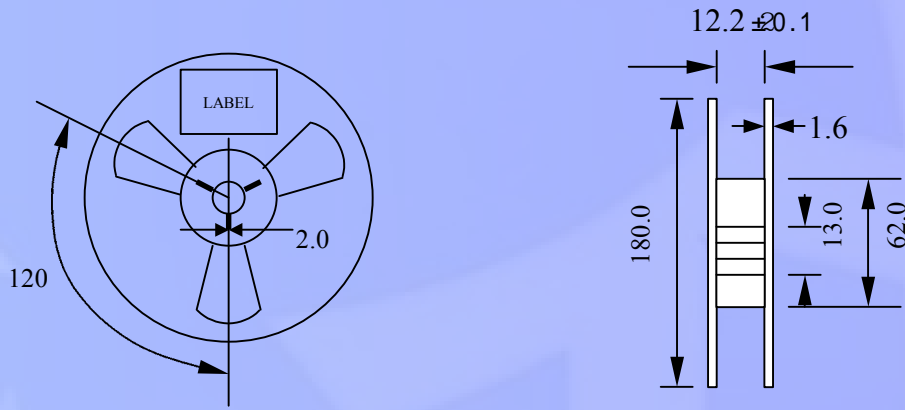
(Recommended Land Pattern)

**Tape specification (mm):**



\* Above specification subject to change without prior notice, please consult our sales representative for more information <http://www.ljqzkcpl.com>

### Reel packing (mm):



### Reflow Temperature profile:

