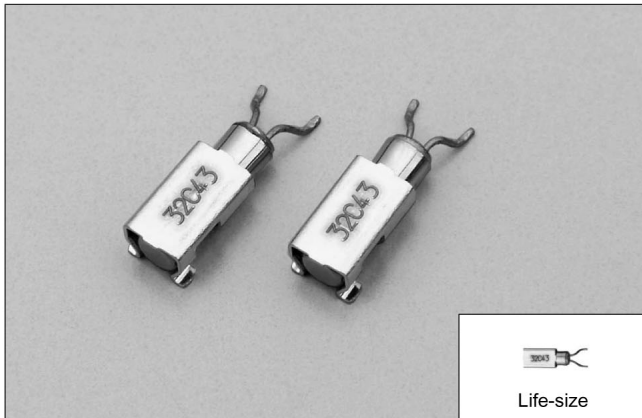


# TUNING FORK CRYSTAL UNIT (SMD • Jacket Type)

RoHS Compliant Optional

## CMJ206T

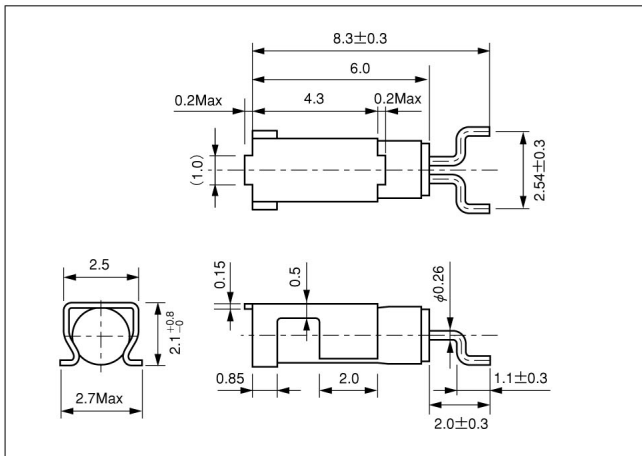
3000pcs/reel



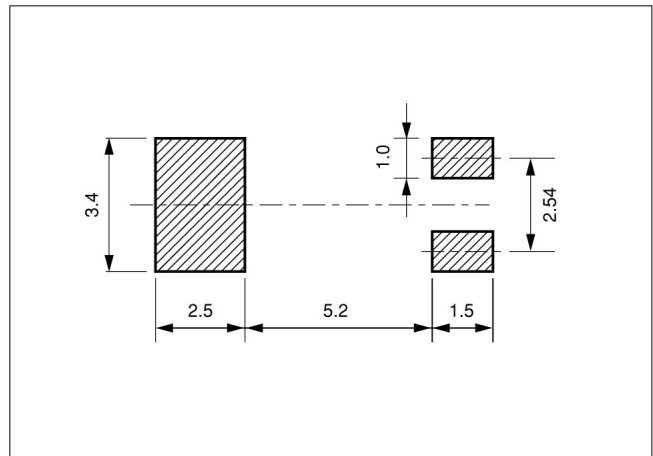
### FEATURES

- High-density mounting SMD with jacket.
- Automatic mounting and reflowable Type.
- Most appropriate for clock source for portable and other various equipment with low power consumption.

### DIMENSION [mm]



### SOLDER PAD LAYOUT [mm]



### STANDARD SPECIFICATIONS

| Item                         | Model          | CMJ206T                               | Conditions                       |
|------------------------------|----------------|---------------------------------------|----------------------------------|
| Nominal Frequency            | $f_0$          | 32.768kHz                             |                                  |
| Frequency Tolerance          | $\Delta f/f_0$ | $\pm 20$ ppm                          | at 25°C                          |
| Load capacitance             | $C_L$          | 12.5pF                                | Need to specify your requirement |
| Operating Temperature Range  | $T_{OPR}$      | -40°C ~ +85°C                         |                                  |
| Storage Temperature Range    | $T_{STR}$      | -55°C ~ +125°C                        |                                  |
| Turnover Temperature         | $T_M$          | 25°C $\pm$ 5°C                        | See figure 2 in P4               |
| Temperature Coefficient      | $\beta$        | -0.034 $\pm$ 0.006ppm/°C <sup>2</sup> |                                  |
| Motional (series) resistance | $R_1$          | 50K $\Omega$ Max.                     | at 25°C                          |
| Level of drive               | $D_L$          | 1 $\mu$ W Max.                        |                                  |
| Aging (first year)           | $\Delta f/f_0$ | $\pm 3$ ppm Max.                      | 25°C $\pm$ 3°C                   |
| Quality Factor               | $Q$            | 70000 Typ.                            |                                  |
| Shunt capacitance            | $C_0$          | 1.35pF Typ.                           |                                  |